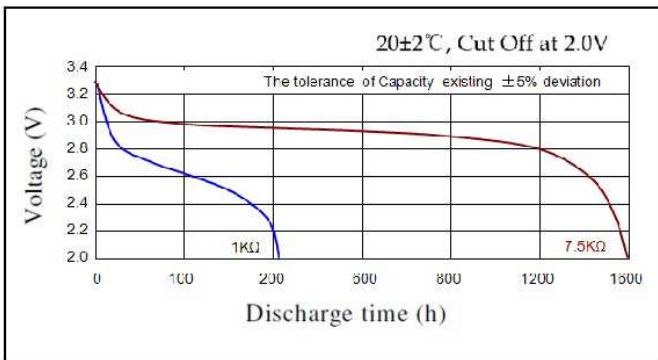


**Description** : Flat Lithium Battery  
**Chemical system** : Lithium Manganese Dioxide  
**Nominal voltage** : 3 Volts  
**Nominal capacity** : 590mAh  
**Dimensions** : Ø24.5mm x 5.0mm  
**Shelf life** : 10 years at room temperature  
**Average weight** : 6.6 grams  
**Operation temperature** : -20°C ~ 60°C  
**Storage temperature** : 20 ± 2°C

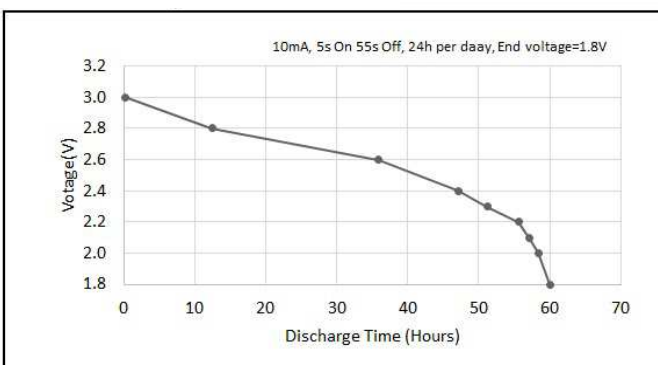
### Cross References:

IEC	JIS	Panasonic	Varta
CR2450	CR2450	CR2450	CR2450

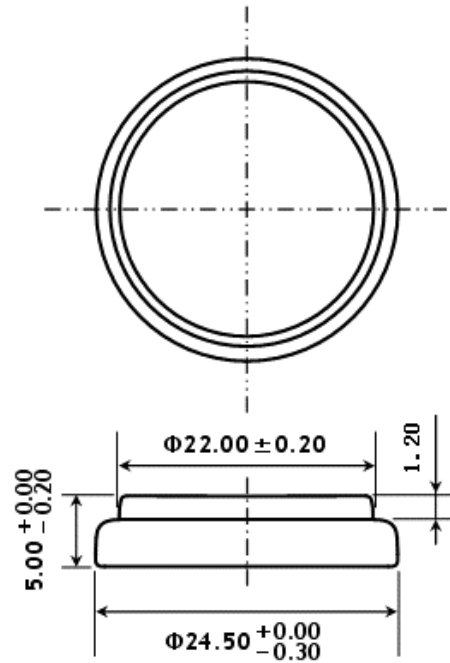
### Discharge Characteristics



### Pulse discharge characteristics



Model No.: **CR2450**



Dimension Drawing

The information (subject to change without prior notice) contained in this document is for reference only and should not be used as a basis for product guarantee or warranty. For applications other than those described here, please consult your nearest GP Sales and Marketing Office or Distributors.